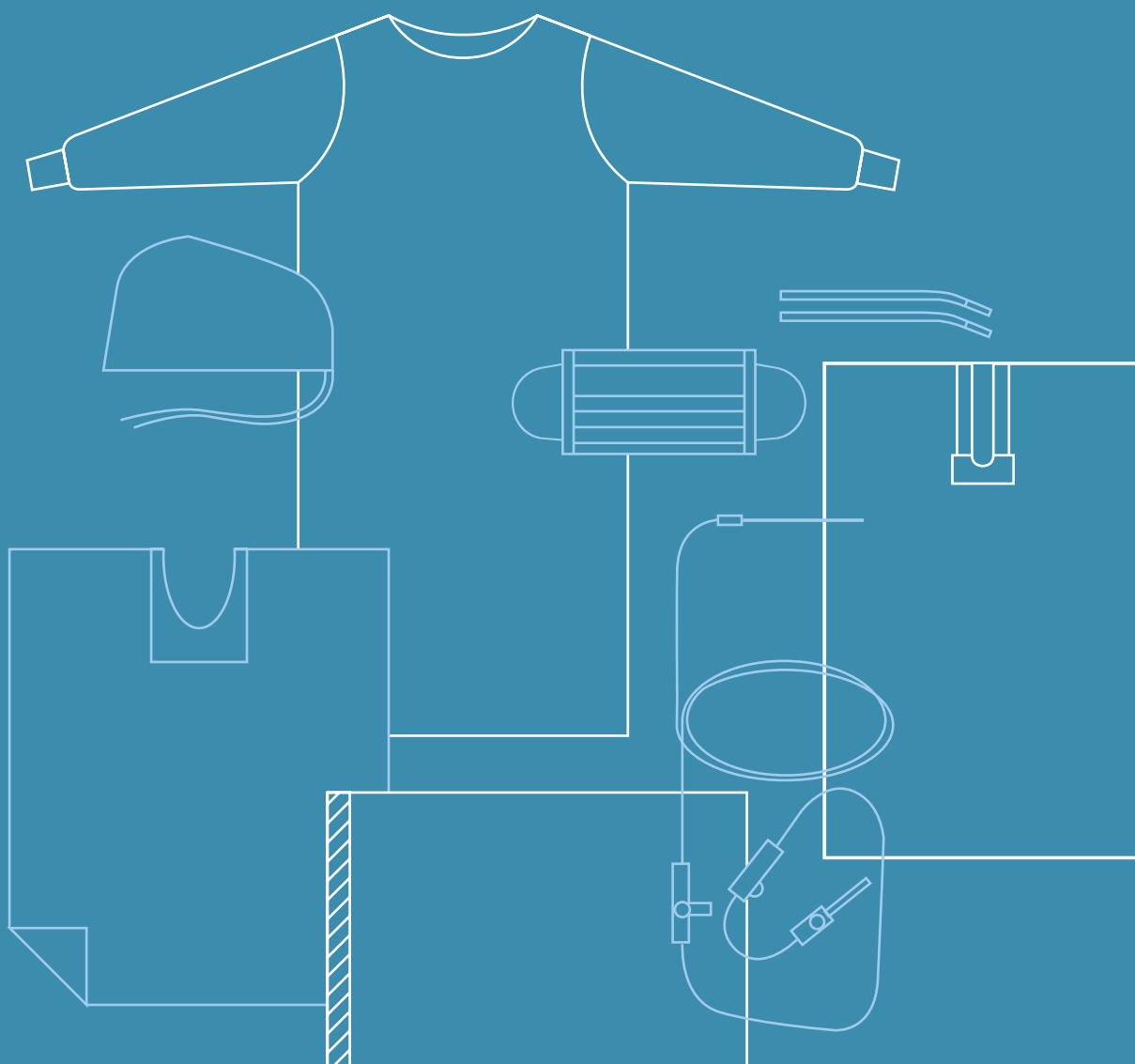


Euronda Alle[®]

EN

Your surgical field
Simply perfect



Euronda[®]

Alle

Euronda®

It's all about protection

Euronda, synonymous with outstanding protection in the medical field for over 45 years. With an Italian origin and an international vocation, it has four branches operative and sells products in over 100 Countries worldwide. Euronda is one of the benchmark companies for infection control.

Production includes four specific product lines.

Monoart®, a wide range of disposable products, accessories and personal protective equipment that teams maximum product quality with vibrant Colors. **Pro System**, the Euronda Total Protection System: a complete line of products to optimise the whole sterilisation process and make it safer.

Alle®, line of disposable products that has been specially designed to create an uncontaminated sterile field for surgery, thus preventing the risk of infections. **Eurosteril®** is the Euronda line of pouches and rolls dedicated to sterilisation. All Euronda products guarantee maximum quality and protection standards for doctors, professionals and patients.

Index

Sterile sets

- 8 Patient Set
 - 9 Doctor Set
 - 10 Doctor Set Pure
 - 11 Assistant Set
 - 12 Surgery Set
 - 13 Implant Set
 - 14 Base Set
 - 15 Protection Set
 - 15 Drapes Set
-

Gowns

- 18 Softesse® gown
 - 20 SMS Microfiber gown
 - 22 Waterproof gown
 - 24 Standard gown
 - 26 SMS Microfiber surgical pyjama
-

Other items of protection

- 30 Face mask protection 3
 - 31 Face mask protection Soft
 - 32 Face mask protection 4
 - 33 Face mask protection 4 Sensitive
 - 34 Softesse® cap
 - 34 Round cap with elastic
 - 35 Bandana
 - 35 Cap with ties at the back
 - 36 Clinical Cap
 - 36 Scudo 2020 full surgical cap
 - 37 Contemporary glasses
 - 37 FitUp glasses
 - 38 Cube glasses
 - 39 Visual Visor
 - 39 Operator Visor
 - 40 Latex gloves
 - 41 Waterproof shoe covers
 - 42 Dry surgical scrub brush
 - 42 Chlorhexidine surgical scrub brush
 - 43 Aprons PG20 XLong
-

Sterile drapes

- 46 Drapes for Mayo and instrument tables
- 47 Surgical drapes
- 48 Standard drapes Pure
- 49 Surgical drapes with adhesive side
- 50 Drape with central adhesive opening
- 51 Drape with off-centre adhesive opening
- 52 Drape with U cut without adhesive
- 53 Drape with U cut and adhesive
- 54 Drape with U cut without adhesive and adhesive point
- 55 Softesse® drape
- 56 Softesse® drape with no panic window

Sterile and non-sterile protective products

- 60 All-purpose bag for radiographic systems
 - 60 Medical adhesive
 - 61 Transparent drapes with adhesive
 - 62 Barrier film
 - 63 Adhesive film
 - 64 Tubing sleeve with inserter
 - 65 Tubing sleeve with adhesive fixing tapes
 - 66 Turbine cover
 - 67 Decontamination mat
 - 68 Dentist chair cover
 - 68 Headrest Cover
-

Sterile irrigation lines

- 72 Mechanical irrigation lines
 - 74 Manual irrigation line
-

Aspiration systems

- 78 Surgical aspirators
 - 78 Surgical aspirator tip
 - 79 EM40 aspirator tips
 - 79 EM19 and EM21 aspirator tips
-

Other products

- 82 Instant ice
- 83 Sterilisation rolls
- 84 Gusseted sterilisation rolls
- 85 Sterilisation pouches
- 86 Helix Test
- 86 Bowie & Dick Test
- 87 Prion Test



Euronda Alle[®]

Your surgical field
Simply perfect

Alle[®] is the line of disposable products designed specifically to create a sterile and uncontaminated surgical field for dental procedures, and to prevent the risk of infection. Alle[®] is a comprehensive line of products aimed at providing dental clinics with the high standards of protection required in operating rooms.





Alle® Sterile sets

Totally safe and practical for all your needs

A complete line of single-use, sterile sets for the protection of dentists, assistants and patients, and for the preparation of surgical fields. These sets have been carefully designed to respond effectively to the needs of all dental surgical operations. The contents of the sets vary based on the type of procedure and consist of multiple sterile products packaged in order of use. These sets satisfy requirements for a variety of procedures, in particular there are four sets designed for gowning, two sets for implantology, two for preparing your operating field, and one that contains every tool needed to deal with any type of surgery.



Comprehensive

The Euronda Alle® sets satisfy individual needs for all kinds of surgery.



Practical

Contents are organised in a practical way and components are arranged in order of use.



Efficient

The sterile sets significantly reduce the time needed to set up your operating field and make it easy to manage your purchases.

Patient Set

Comfort and protection for patients undergoing surgery



Sterile apparel for your patient. A set designed for gowning patients undergoing all types of implant, periodontal, dental surgery and maxillofacial procedures.



Classification

Medical Device class I



Packaging

Packed in a sterile medical blister pack with a double adhesive label. The components are individually folded and wrapped in medical paper



Sterility

Sterility guaranteed for 59 months from the date of production

Set Code	Content	Size	Material	Pcs
270101	Standard gown with elastic cuffs	One size	Non-woven fabric	1
	Round cap with elastic	One size	Non-woven fabric	1
	Waterproof shoe covers	One size	CPE	2

Doctor Set

A barrier system for everyday procedures



A sterile kit for routine procedures. Set designed specially with the dentist in mind, for brief and medium-length procedures. New composition with gowns in SMS microfiber, guaranteeing greater comfort for professionals.



Classification

Medical Device class I



Packaging

Packed in a sterile medical blister pack with a double adhesive label. The components are individually folded and wrapped in medical paper



Sterility

Sterility guaranteed for 59 months from the date of production

Set Code	Content	Size	Material	Pcs
270126	SMS microfiber gown with cotton cuffs	L	SMS	1
	Cap with ties at the back	One size	Non-woven fabric	1
	Monoart® face mask PTC3	One size	Non-woven fabric	1
	Waterproof shoe covers	One size	CPE	2

Doctor Set Pure

Safe and protection for the operator



A sterile kit for everyday procedures. Set designed specially with the operator in mind, for brief length procedures.



Classification

Medical Device class I



Packaging

Packed in a sterile medical blister pack with a double adhesive label. The components are individually folded and wrapped in medical paper



Sterility

Sterility guaranteed for 59 months from the date of production

Set Code	Content	Size	Material	Pcs
270102	Standard gown with elastic cuffs	One size	Non-woven fabric	1
	Cap with ties at the back	One size	Non-woven fabric	1
	Monoart® face mask PTC3	One size	Non-woven fabric	1
	Waterproof shoe covers	One size	CPE	2

Assistant Set

Safe and practical for your surgical team



Perfect for aiding professionals in total safety. Specially designed to be used by assistants for short and medium-length procedures.



Classification

Medical Device class I



Packaging

Packed in a sterile medical blister pack with a double adhesive label. The components are individually folded and wrapped in medical paper



Sterility

Sterility guaranteed for 59 months from the date of production

Set Code	Content	Material	Size	Pcs
270103	Standard gown with cotton cuffs	Non-woven fabric	One size	1
	Round cap with elastic	Non-woven fabric	One size	1
	Monoart® face mask PTC3	Non-woven fabric	One size	1
	Waterproof shoe covers	CPE	One size	2

Surgery Set

Total protection for outstanding surgery



Total protection for successful surgery. Alle® surgical set is designed to optimise surgical operations. Specially designed to protect professionals, assistants, patients and equipment.



Classification

Medical Device class I



Packaging

Packed in a sterile medical blister pack with a double adhesive label. The components are individually folded and wrapped in medical paper



Sterility

Sterility guaranteed for 59 months from the date of production

Set Code	Content	Material	Size (cm)	Pcs
270123	SMS microfiber gown with cotton cuffs	SMS	L	1
	Standard gown with cotton cuffs	Non-woven fabric	One size	1
	Drape with U cut with adhesive	Non-woven fabric + polyethylene	100 x 150 cut 6,5 x 30	1
	Surgical drape with adhesive side	Non-woven fabric + polyethylene	75 x 90	2
	Tubing sleeve with inserter	LDPE	120 x 7	1
	Adhesive film sheets	adhesive polyethylene	20 x 20	2
	Transparent drape with adhesive side	LDPE	40 x 50	1
	Red plastic bag for contaminated waste	polyethylene	24 x 30	1

Implant Set

Special protection for complex procedures



The best possible protection for all implant procedures. Specially designed for implant surgery. Produced in conjunction with experts in dental surgery.



Classification

Medical Device class I



Packaging

Packed in a sterile medical blister pack with a double adhesive label. The components are individually folded and wrapped in medical paper



Sterility

Sterility guaranteed for 59 months from the date of production

Set Code	Content	Material	Size (cm)	Pcs
270105	Standard gown with cotton cuffs	Non-woven fabric	One size	3
	Cap with ties at the back	Non-woven fabric	One size	1
	Round cap with elastic	Non-woven fabric	One size	2
	Monoart® face mask PTC3	Non-woven fabric	One size	3
	Surgical drape	Non-woven fabric + polyethylene	75 x 90	1
	Surgical drape	Non-woven fabric + polyethylene	50 x 50	2
	Drape with central opening without adhesive	Non-woven fabric + polyethylene	50 x 75 - Ø 6	1
	Dry paper hand towels	Cellulose	30 x 40	2

Base Set

Essential for operating in total safety



All the essentials you need to begin any procedure. Specially designed for implant surgery. The product of joint studies with experts in dental surgery. A modified version of the Implant Set.



Classification

Medical Device class I



Packaging

Packed in a sterile medical blister pack with a double adhesive label. The components are individually folded and wrapped in medical paper

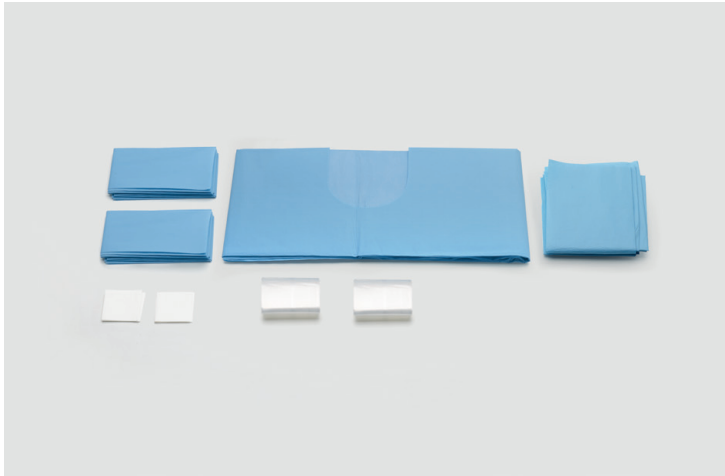


Sterility

Sterility guaranteed for 59 months from the date of production

Set Code	Content	Material	Size (cm)	Pcs
270106	Standard gown with cotton cuffs	Non-woven fabric	One size	1
	Standard gown with elastic cuffs	Non-woven fabric	One size	2
	Cap with ties at the back	Non-woven fabric	One size	1
	Round cap with elastic	Non-woven fabric	One size	2
	Facemask with ties	Non-woven fabric	One size	1
	Monoart® face mask PTC3	Non-woven fabric	One size	2
	Drape with U cut with adhesive	Non-woven fabric + polyethylene	75 x 90 cut 11 x 9	1
	Surgical drape	Non-woven fabric + polyethylene	50 x 75	2
	Tubing sleeve with elastics	polyethylene	120 x 7	1

Protection Set



A selection of sterile drapes and protective items to cover and prepare surfaces and patients during surgical procedures.



Classification

Medical Device class I



Packaging

See Base set

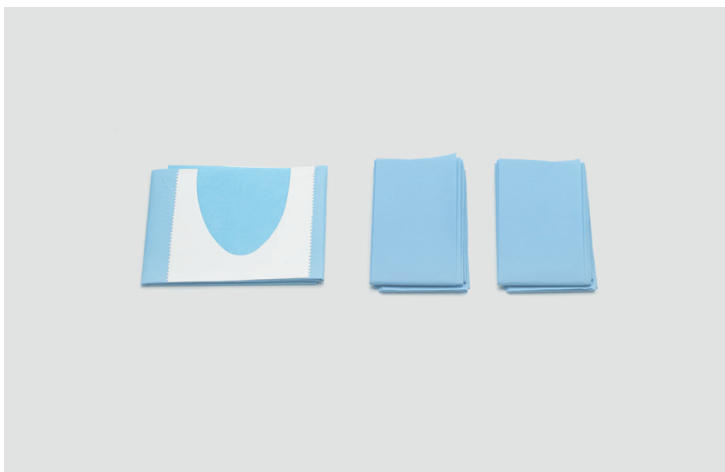


Sterility

Sterility guaranteed for 59 months from the date of production

Set Code	Content	Material	Size (cm)	Pcs
270107	Drape with U cut without adhesive	Non-woven fabric + polyethylene	100 x 150 cut 11 x 30	1
	Surgical drape	Non-woven fabric + polyethylene	75 x 90	1
	Surgical drape	Non-woven fabric + polyethylene	50 x 75	2
	Tubing sleeve with adhesive	Non-woven fabric + polyethylene	120 x 7	2

Drapes Set



A set of drapes to prepare areas for surgery, designed to cover both surfaces and patients.



Classification

Medical Device class I



Packaging

See Base set



Sterility

Sterility guaranteed for 59 months from the date of production

Set Code	Content	Material	Size (cm)	Pcs
270108	Surgical drape	Non-woven fabric + polyethylene	50 x 75	2
	Drape with U cut with adhesive	Non-woven fabric + polyethylene	50 x 75 cut 11 x 9	1



Alle[®] Gowns

The first level of defence for dentists and assistants

The purpose of using barrier systems (sterile disposable gowns and draping) during surgery is to protect both the patient and staff members in the operating room from the transfer of micro-organisms, bodily fluids and particles. When worn properly, they help to keep your operating fields sterile. Comfortable, soft, waterproof and breathable, they provide the utmost comfort during procedures. Some disposable barrier systems are available in non-sterile versions as well, to provide comfort for all professionals and patients.



For any need

Available in nonwoven fabric, nonwoven fabric coupled with a polyethylene layer, SMS microfibre and breathable Softesse[®] material to provide the desired level of comfort.



Versatile

A comprehensive range of sterile gowns to protect dentists, patients and whole surgery teams.



Traceable

Packed with peel-off labels to provide maximum traceability and security for dental clinics.

Softesse® gown

Outstanding comfort for complex operations

Softesse® non-woven fabric is the most advanced material available on the market. This highly breathable gown is exceptionally comfortable and very water-resistant. The surgical pleat, double lace fastening (inside and out), cotton cuffs and Velcro neck strap guarantee the perfect fit. It comes with two sterile paper hand towels.



Classification

Medical Device class I s compliant with EN 13795 standard



Material

Non-woven fabric Softesse® 67 g/m² latex free



Available size

M, L, XL



Color

Light blue



Sterility

Sterility guaranteed for 59 months from the date of production



Breathable

Prevents your body temperature from increasing thanks to the highly breathable fabric, which is also very water-resistant.



Comfortable

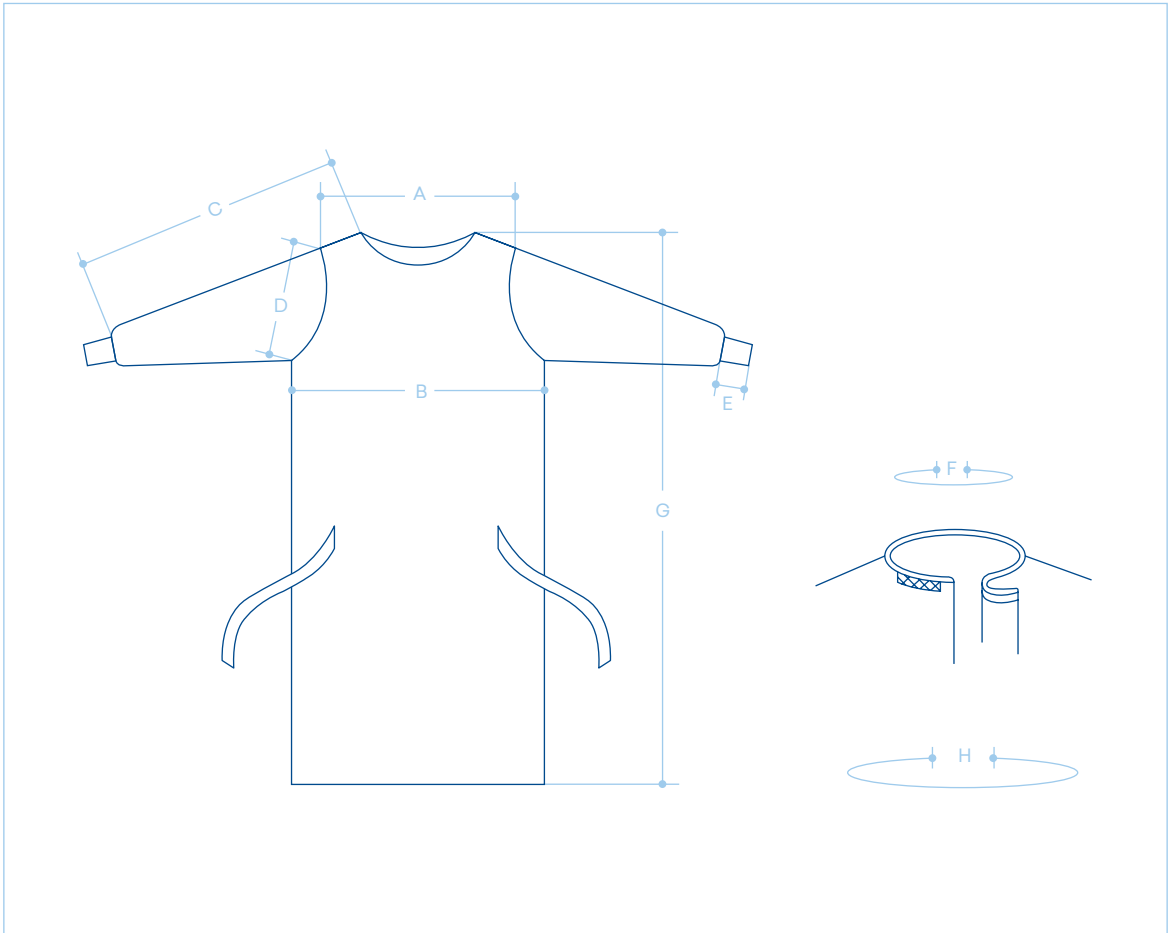
The Softesse® non-woven fabric guarantees exceptional comfort. It's perfect for lengthy operations and treating at-risk patients.



Traceable

Each gown is packed in a sterile medical blister pack and complete with a double adhesive label with barcode to provide maximum traceability.

Details



Size	M	L	XL
Code	270408	270409	270410
Pieces	12	12	12
A Shoulder width (cm)	57	58	66
B Thorax width (cm)	63	68	76
C Total arm length (cm)	76	82	86
D Arm width (cm)	29	29	29
E Cuff length (cm)	7	7	7
F Neck circumference (cm)	71	75	75
G Maximum length of gown (cm)	128	130	133
H Total circumference of gown (cm)	150	157,5	157,5

SMS Microfiber gown

Light, comfortable and fits perfectly

Made from light, water-repellent SMS microfibre material and complete with cotton cuffs and surgical pleats. The double lace fastening (inside and out) and Velcro neck strap guarantee the perfect fit. Available in sterile and non-sterile versions, based on your needs. Comes with two sterile paper hand towels.



Classification

Medical Device class I s (sterile)
Medical Device class I (non sterile)
Compliant with EN 13795 standard



Material

SMS Microfiber 35 gr/m²
latex free



Available size

M, L, XL



Color

Light blue



Sterility

Sterility guaranteed for 59 months from the date of production

Non-sterile version also available



Durable

Perfect for routine, medium-length implant and periodontics.



Comfortable

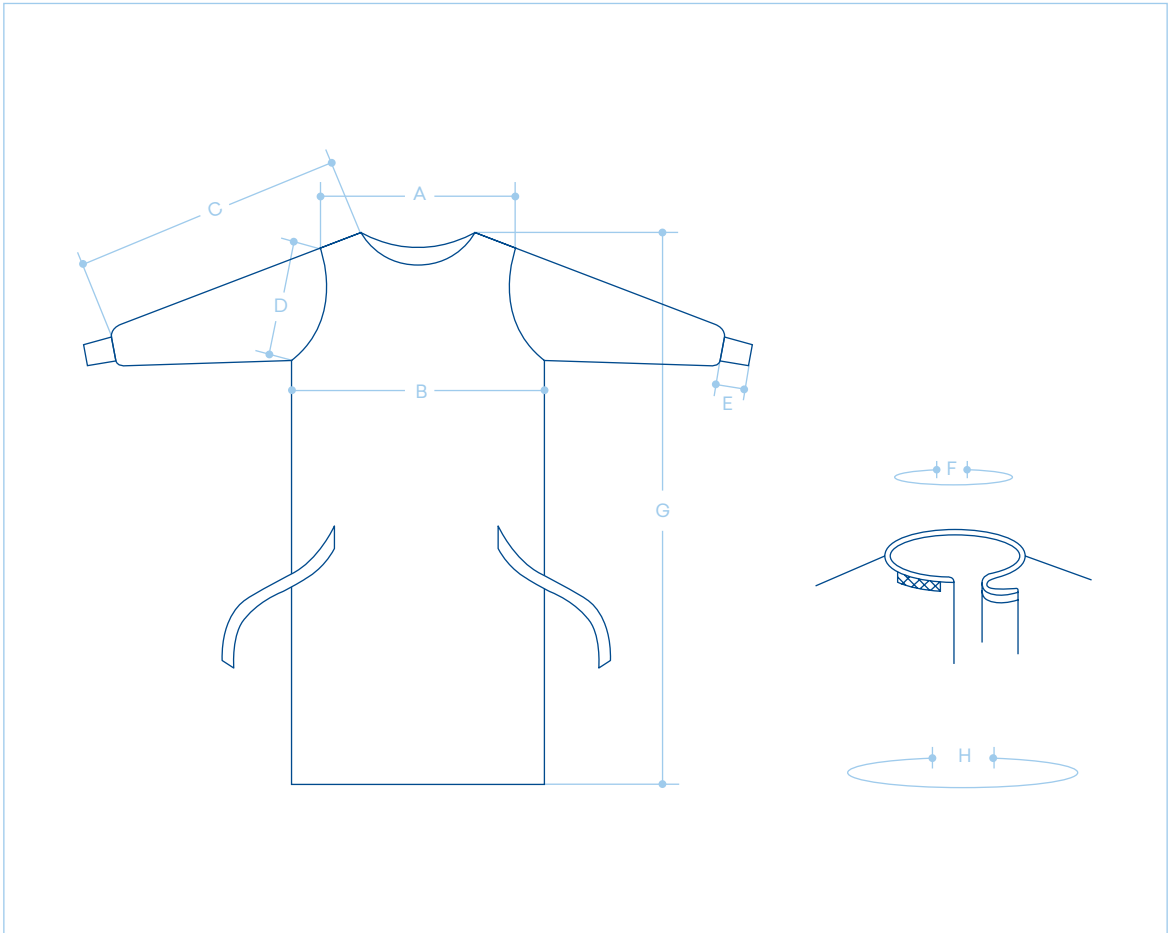
The unique, enveloping shape provides the perfect fit, with very low risk of the material tearing.



Traceable

Each sterile gown is packed in a sterile medical blister pack and complete with a double adhesive label with barcode to provide maximum traceability.

Details



Size	M	L	XL
Code - non sterile	270422	270423	270424
Code - sterile	270405	270406	270407
Pieces	12	12	12
A Shoulder width (cm)	57	57	66
B Thorax width (cm)	63	65	75
C Total arm length (cm)	76	79	88
D Arm width (cm)	29	29	29
E Cuff length (cm)	7	7	7
F Neck circumference (cm)	71	74	75
G Maximum length of gown (cm)	128	133	134
H Total circumference of gown (cm)	149	148	160

Waterproof gown

Excellent protection from liquids

Waterproof gown made from soft, comfortable NWT bonded with a layer of polyethylene, with cotton jersey cuffs, edged collar, drawstring fastening at the neck and waist belt at the front.



Classification

Medical Device class I compliant with EN 13795 standard



Material

Spunbond NWT 58 g/m² + waterproof polyethylene. Cotton cuffs



Available size

One size



Color

Light blue



Functional

Waterproof, water-repellent gown recommended for operators during procedures involving high liquid dispersion. Complies with standard EN 13795. **Made in Italy.**



Comfortable

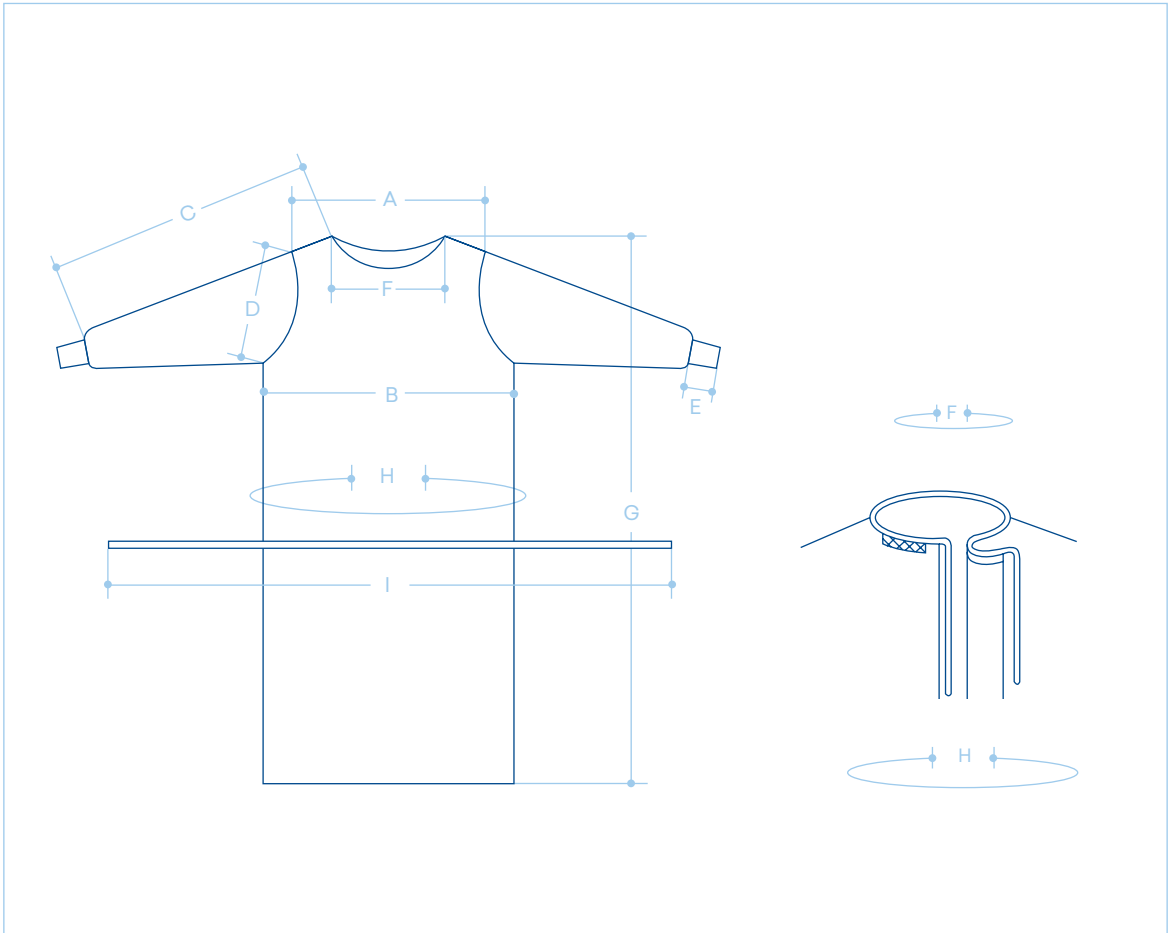
Very easy to wear, even during medium-length/long procedures, thanks to the comfortable cotton jersey cuffs, the edged collar, the drawstring fastening at the neck and the waist belt.



Safe

Manufactured in a controlled clean room (ISO class 8 - EN 14644-1). This item is free from latex, PVC, glues and chemicals that can cause skin reactions.

Details



Size	One size
Code - non sterile	270430
Pieces	12
A Shoulder width (cm)	66,5
B Thorax width (cm)	66
C Total arm length (cm)	56
D Arm width (cm)	26,5
E Cuff length (cm)	8
F Neck width (cm)	22,5
G Maximum length of gown (cm)	115
H Total circumference of gown (cm)	137
I Belt length (cm)	180

Standard gown

Practical and versatile for everyday surgery

Comfortable, practical and functional: a NWF gown with cuff, recommended for short everyday operations and complementing patient protection. Available in sterile and non-sterile versions, based on your needs.



Classification

Medical Device class I s (sterile)
Medical Device class I (non sterile)



Material

Non-woven fabric
Spunbond 30 g/m²
latex free



Available size

One size



Colors

Green, light blue



Sterility

Sterility guaranteed for 59 months from the date of production

Non-sterile version also available



Versatile

Particularly recommended for visitors and patients, as well as healthcare professionals involved in short procedures or outpatient surgery.



Comfortable

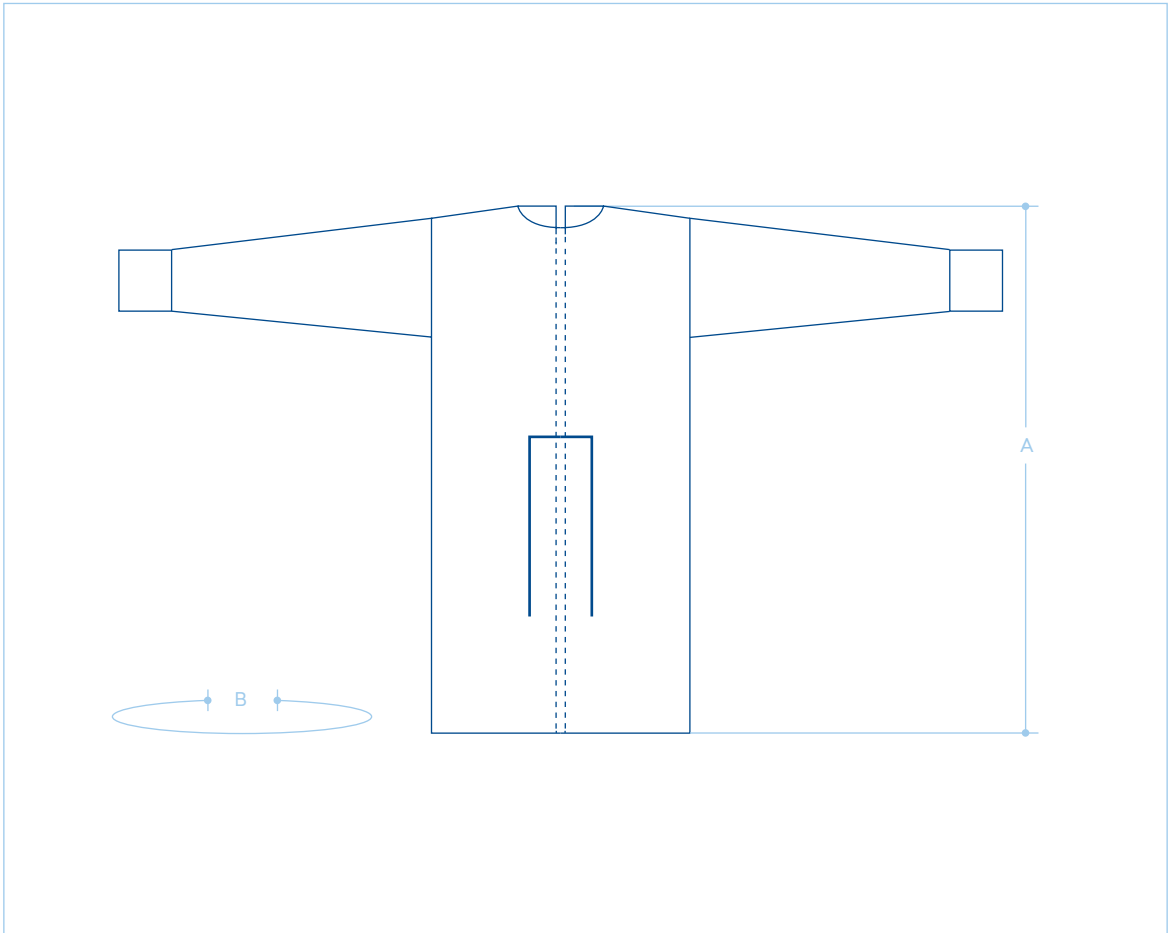
With its perfect fit, it allows you to move around as you normally would without tearing the fabric. Adjustable non-woven belt and lace fastening around the neck at the back.



Traceable

Each sterile gown is packed in a sterile medical blister pack and complete with barcode to provide maximum traceability.

Details



Color	Green	Light blue
Code - non sterile	270425	270426
Code - sterile	270427	270428
Pieces	50	50
A Length of gown (cm)	120	120
B Width of gown (cm)	140	140

SMS Microfiber surgical pyjama

Guaranteed comfort while you work

Short-sleeve surgical scrubs with top and trousers. Made from comfortable, light and water-repellent SMS microfibre material. Non-sterile product.



Classification

Medical Device class I



Material

SMS Microfiber 35 g/m²
latex free



Available size

M, L, XL



Color

Blue



Flexible

Replaces traditional gowns used for everyday tasks at your clinic.



Comfortable

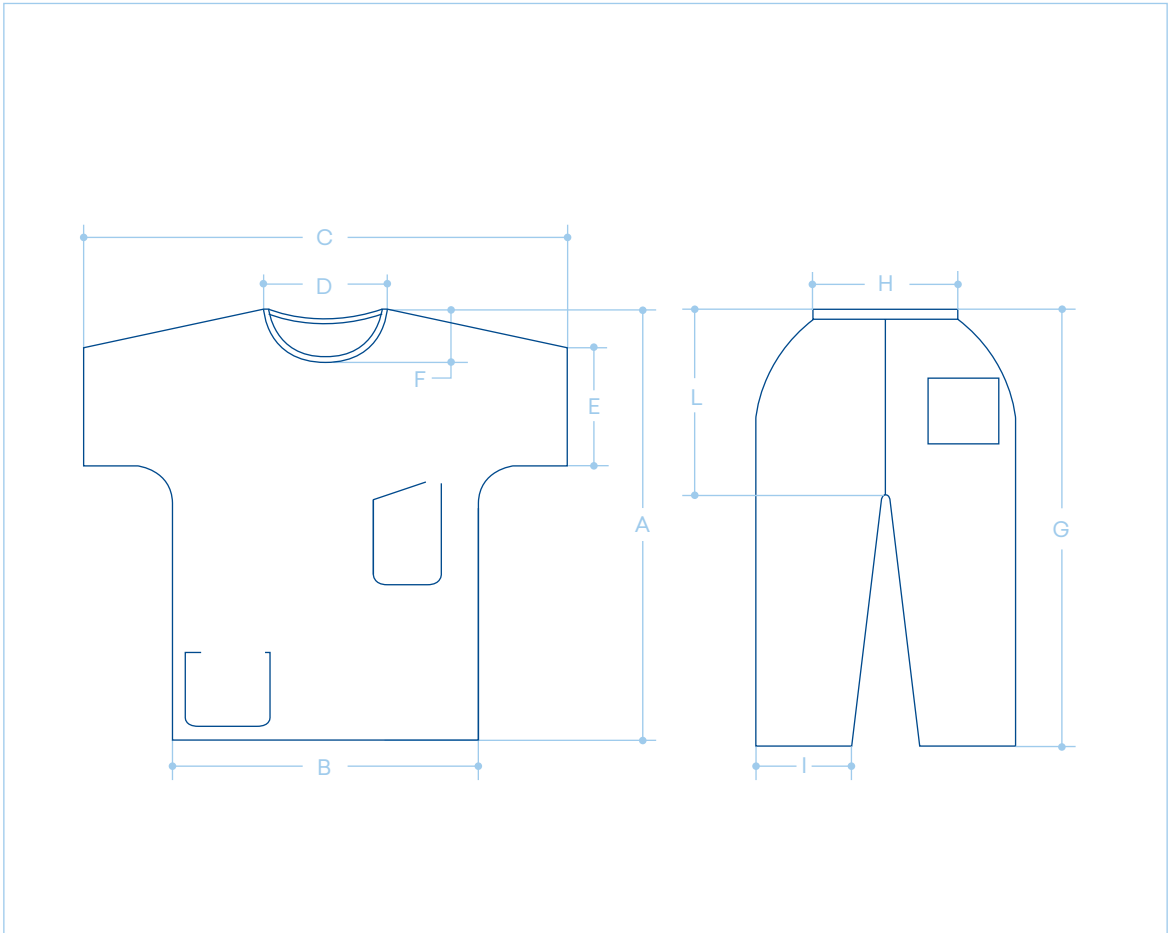
Very comfortable with short, wide sleeves for ease of movement.



Safe

Flexible and provides perfect protection for the wearer's body.

Details



Size	M	L	XL
Code	270415	270416	270417
Pieces	20	20	20
A Total length of tunic (cm)	74	76	78
B Width of tunic body (cm)	57	60	63
C Total width of tunic (cm)	89	95	101
D Width of collar (cm)	22	23	24
E Width of sleeves (cm)	20	21	22
F Depth of neckline (cm)	14	14	14
G Total length of trousers (cm)	106	108	112
H Width of waist (cm)	54	59	62
I Width of leg (cm)	23	24	25
L Length of crotch (cm)	28	29	30



Other items of protection

Irreplaceable day-to-day accessories

Our line of complementary accessories includes non-sterile products that provide total protection during any kind of surgical procedure or day-to-day activities at your dental practice. Three- and four-layer masks with bacterial filtration performance greater than 98%. Glasses and visors protect the wearer from bodily fluids and sprays and aerosols emitted by rotary instruments, air-water syringes and scalers. Scrub caps and scrub shoes provide extra safety for surgical teams and patients. High-quality, Monoart[®] latex gloves are perfect for routine activities and everyday check-ups. Protective aprons made from waterproof polyethylene for maximum patient protection. Surgical sponges for washing hands before any direct contact with the aseptic surgical field.

Face mask Protection 3

Euronda | Monoart®

Mask with three layers of three different materials: soft nonwoven fabric; an anti-particle and anti-bacterial filter; comfortable, absorbent nonwoven fabric lining for effective absorption of sweat and humidity. Built-in nose bridge. Pack comes with practical, hygienic “Open/Close” system.



Classification

Medical Device class I
EN 14683: Type II
ASTM F2100: Level 1



Material

Non-woven fabric



Colors

Light blue, green

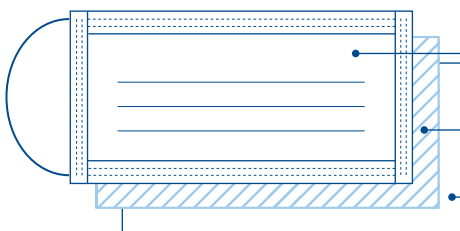


CE Type Ref

MONOART® FACE MASK
PROTECTION 3



Code	Color	Pcs
217112	Light blue	50
217114	Green	50



Soft colored non-woven fabric

Particle and bacterial filters
PFE and BFE > 98%

Comfortable non-woven cotton

Face mask Protection Soft

Euronda | Monoart®

Disposable mask ideal for protection from aerosol and splashes, with four innovative layers that are light, breathable and protective in equal measure. Light NWT on the outside; filter that protects the wearer from particles and bacteria; improved hydrophobic layer for maximum breathability and excellent splash resistance, absorbent nonwoven lining inside. Innovative nose bridge with new longer and more flexible double underwire for maximum stability. Pack comes with practical, hygienic “Open/Close” system.



Classification

Medical Device class I
EN 14683: Type IIR
ASTM F2100: Level 2



Material

Non-woven fabric



Colorus

Aquamarine

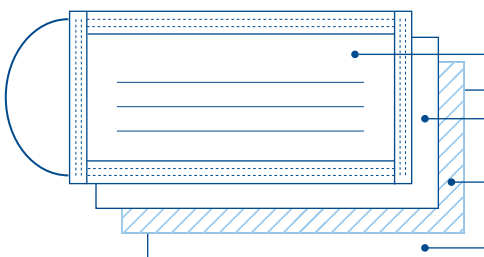


CE Type Ref

MONOART® FACE MASK
PROTECTION SOFT



Code	Color	Pcs
217011	Aquamarine	50



Soft colored and water repellent non-woven fabric

Hydrophobic fluid resistant layer ≥ 16 kPa

Particle and bacterial filters PFE and BFE > 98%

Comfortable non-woven cotton

Face mask Protection 4

Euronda | Monoart®

Disposable mask with four layers, perfect for protecting the wearer from aerosol: soft nonwoven fabric on the outside; anti-particle and anti-bacterial filters; liquid-resistant polymeric filter; absorbent nonwoven lining to absorb sweat and humidity. Elongated nose bridge, elastic bands bonded to the outside and darted "Perfect Fit" system. Pack comes with practical, hygienic "Open/Close" system.



Classification

Medical Device class I
EN 14683: Type IIR
ASTM F2100: Level 3



Material

Non-woven fabric



Colors

Light blue, green

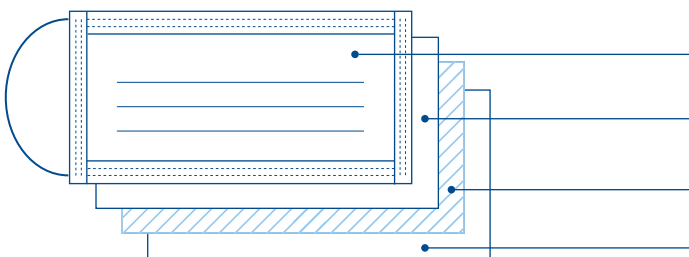


CE Type Ref

MONOART® FACE MASK
PROTECTION 4



Code	Color	Pcs
217132	Light blue	50
217134	Green	50



Soft Colored and water repellent non-woven fabric

Polymeric fluid resistant filter ≥ 16 kPa

Particle and bacterial filters
PFE and BFE > 98%

Comfortable non-woven cotton

Face mask Protection 4 Sensitive

Euronda | Monoart®

Mask designed to provide maximum protection for operators selected materials suitable for sensitive skin and prevent irritation and dermatitis. Composed of four layers: soft NWT outside; improved hydrophobic filter for excellent resistance to fluids; particulate and antibacterial filter; absorbent cellulose layer inside, for effective absorption of sweat and humidity. Elongated nose bridge, elastic bands bonded to the outside and darted "Perfect Fit" system. Pack comes with practical, hygienic "Open/Close" system.



Classification

Medical Device class I
EN 14683: Type IIR
ASTM F2100: Level 3



Material

Non-woven fabric



Colors

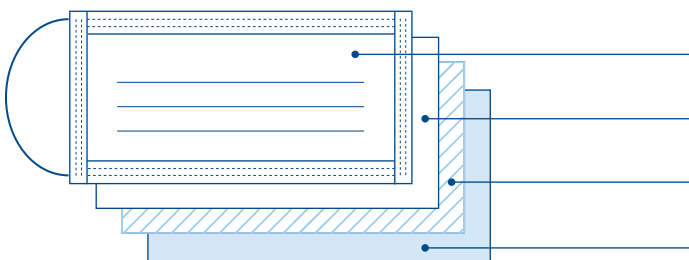
Light blue



CE Type Ref

MONOART® FACE MASK
PROTECTION 4 SENSITIVE

Code	Color	Pcs
217141	Light blue	50



Soft Colored and water repellent non-woven fabric

Polymeric fluid resistant filter ≥ 16 kPa

Particle and bacterial filters PFE and BFE > 98%

Comfortable absorbent cellulose layer

Softesse® cap

Surgical cap with elasticated back. Practical and quick to put on. Made of Softesse® non-woven fabric, which is both exceptionally comfortable and extremely water-repellent. Non-sterile product.



Classification

Medical Device class I



Material

Non-woven fabric
Softesse® 67 g/m²

Code	Color	Pcs
270502	Light blue	50

Round cap with elastic

Round and elasticated non-woven fabric scrub cap. Ideal for patients and surgical teams. Non-sterile product.



Classification

Medical Device class I



Material

Non-woven fabric 15 g/m²

Code	Color	Pcs
270505	Green	100
270506	Light blue	100

Bandana

Euronda | Monoart®

Comfortable cotton bandana with adjustable strings, making them adaptable to all head sizes. It can be sterilized at 121°C. Non-sterile product.



Classification

Personal Protective Equipment, category I



Material

Autoclavable cotton



CE Type Ref

MONOART® BANDANA



Code	Color	Pcs
262003	Light blue	10
262001	Green	10

Cap with ties at the back

Cap with ties at the back made in non-woven fabric, ideal for all the team. Non-sterile product.



Classification

Medical Device class I



Material

Non-woven fabric 35 g/m²



Code	Color	Pcs
270503	Green	100
270504	Light blue	100

Clinical Cap

Euronda®

Disposable cap with elastic band at the nape of the neck, adaptable to all head sizes and also suitable for those with thick hair. The cap is made from perforated, breathable and absorbent NWT.



Classification

Medical Device class I



Material

Perforated non-woven fabric 26 g/m²

Code	Color	Pcs
270757	Light blue	100

Scudo 2020 full surgical cap

Euronda®

Disposable cap in Softesse® NWT, with clear, 125 µm thick clear polyester visor with antistatic treatment on both sides. Compatible with magnifying devices (e.g. loupes).



Classification

Medical Device class I



Material

Non-woven fabric Softesse® 67 g/m² + clear polyester visor 125 µm



Dimensions

Visor 22,5 x 21,5 cm (lxh)
Surgical cap length 43 cm

Code	Color	Pcs
270761	Light blue	50

Contemporary glasses

Euronda | Monoart®

The perfect combination of elegance, protection, comfort and style. Lenses with anti-fog and anti-scratch treatment and exclusive, refined design complete with all-black frame.



Classification

Personal Protective Equipment, category II



Color

Transparent and black frame



Weight

29 g



Anti Scratch Plus



Anti Fog Plus

Code	Pcs
261020	1

FitUp glasses

Euronda | Monoart®

Glasses with wraparound design, length- and tilt-adjustable temples and soft, non-slip nose bridge. High-strength lenses with anti-fog and anti-scratch treatment.



Classification

Personal Protective Equipment, category II



Colors

Transparent and pink or transparent and green frame



Weight

25 g



Anti Scratch Plus



Anti Fog Plus

Code	Colors	Pcs
261179	Pink	1
261169	Green	1

Cube glasses

Euronda | Monoart®

See-through over-glasses for operators, wearable over any pair of corrective glasses. Modern square-shaped design with depth-adjustable temples that provide the utmost comfort thanks to the SoftPad technology used. Anti-fog and anti-scratch polycarbonate lenses.



Classification

Personal Protective Equipment, category II



Colors

White and blue frame



Weight

37 g



Anti scratch Plus



Anti Fog Plus



SoftPad Technology

Code	Pcs
261010	10



Anti Fog

Basic treatment that prevents the formation of condensation.

*N Anti-fog treatment



Anti Fog Plus

Permanent treatment that prevents the formation of condensation. It is certified according to the requirement of EN166 "N".



Anti Scratch Plus

It constitutes a barrier against surface damage, it protects against scratches and abrasions. It is certified according to the requirement of EN166 "K".



SoftPad technology

Patented terminal designed to offer a new level of comfort, providing perfect stability to the safety glasses and full adaptability to the face of the user. In addition to the length adjustment in three positions, it presents a further tilting movement that allows the device to perfectly fit the user's head.

Eyewear marking

Added to personal protective equipments (PPE) the marking guarantees respect of current safety regulations. Required by the law, the marking is added both on the lens, to identify scale number, manufacturer, optical class, mechanical resistance and optional requirements, and on the frame to identify manufacturer, reference normative and mechanical resistance.

European Normatives

EN 166 Personal eye-protection - Specifications

EN 167 Personal eye-protection - Optical test methods

EN 170 Personal eye-protection - Ultraviolet filters. Transmittance requirements and recommended use.

Visual visor

Euronda®

Polyester visor with antistatic treatment on both sides, an adjustable, anatomical and hypo-allergenic elastic strap at the back and a convenient protective front part in soft polyurethane foam for outstanding comfort. Provides maximum protection for the eyes, nose and mouth.



Classification

Personal Protective Equipment, category I



Material

Polyester visor + front protection in polyurethane foam sponge. Latex free



Color

Transparent

Code	Pcs
261520	12

Operator visor

Euronda | Monoart®

Disposable operator visor with transparent frame and replaceable shield. Transparent and anti-fog disposable shield. Ultra light visor. Box of 10 visor with 10 x 10 shields or refill with 20 shields.



Classification

Personal Protective Equipment, category I



Color

Transparent



Weight

25 g



Anti fog

Code	Pcs
261103	1 frame + 10 visors
261104	Refill with 20 visors

Disposable Latex Gloves

Euronda | Monoart®

Safe, comfortable and durable: Monoart® disposable latex gloves provide hygienic, comfortable protection for hands. They are easy to wear, stretchy and guarantee outstanding tactile sensitivity. In addition, the rough micro-texture on the surface gives superb grip in all conditions, so they are ideal for working with complete peace of mind during operations of all kinds.



Classification

Personal Protective Equipment, category III



Material

Powder-free latex



Available size

XS, S, M, L



Color

Blue



CE Type Ref

MONOART® LATEX GLOVES

Code	Size	Pcs
260105	XS	100
260106	S	100
260107	M	100
260108	L	100



Safe

They provide an exceptional protective barrier against contamination and infection. They do not contain lubricant powders, chemical residue and endotoxins.



Certified

They comply with strict quality control criteria (AQL: 1,5) and are certified in accordance with the international directive UE 2016/425 and with EN ISO 374-1, EN 374-4, EN ISO 374-5.



Durable

They are water, acid and alkali resistant and they provide good protection against micro-organisms and the majority of caustic substances and cleaning products.

Waterproof shoe covers

Elasticated protection for footwear. It prevents contamination by limiting the transmission of the microorganisms that are found on the soles of patients and medical staff. Non-sterile product.



Classification

Medical Device class I



Material

CPE



Available size

One size



Color

Blue



Code	Pcs
270420	100



Comfortable

Protections for footwear made of CPE with comfortable elastic, effective in both dry and wet conditions. One size fits all with wide fit.



Safe

Completely latex free and do not contain phthalates or elements that may cause allergies or skin reactions (adhesives, chemicals, etc.)

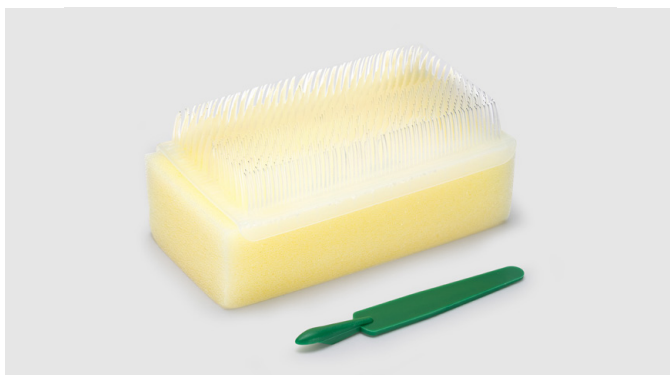


Functional

Recommended for use in the operating room to protect operators from infected liquids and to avoid pollution of the surgical field or sterile and sanitised environments.

Dry surgical scrub brush

A set complete with sponge, brush and nail cleaner, available in two versions with and without chlorhexidine. The dry version that can be used with any type of antiseptic soap. Lifetime of 5 years from the manufacturing date for the dry version.



Classification

Medical Device class II a



Material

Polyethylene brush, polyurethane sponge, polypropylene nail cleaner. Free of latex and phthalates



Sterility

Sterility guaranteed for 59 months from the date of production

Code	Pcs
270753	40

Chlorhexidine surgical scrub brush

The chlorhexidine version (20 ml) is composed by a broad-spectrum biocidal detergent/disinfectant that is released gradually after contact with the skin. Lifetime of 3 years from the manufacturing date.



Classification

Biocide with Italian local registration



Material

Polyethylene brush, polyurethane sponge impregnated with 4% CHG (Chlorhexidine Gluconate), polypropylene nail cleaner. Free of latex and phthalates

Code	Pcs
270752	40

Aprons PG20 XLong

Euronda | Monoart®

Roll of disposable protective aprons for patients made from a waterproof polyethylene layer. PG20 XLong apron is available in two sizes: 120 and 160 cm respectively, to perfectly protect your patients down to the knee or ankles. The perforated tear-off parts make the apron easy to use and the system with laces allows to tie the apron directly to the patient's neck, with no need to use a chain. It is shaped for a perfect cover of neck and shoulders.



Dimensions

Rolls of 133 aprons
120 x 53 cm

Rolls of 100 aprons
160 x 53 cm



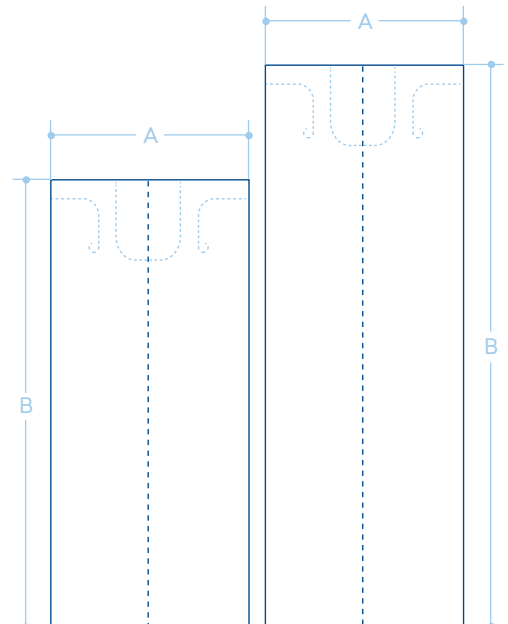
Material

Recyclable waterproof polyethylene



Color

Blue



Code	21910151	21910153
Pcs	6 rolls x 133 pcs	6 rolls x 100 pcs
A Width (cm)	53	53
B Length (cm)	120	160



Alle[®] Sterile drapes

Maximum protection for your surgical field

When procedures for setting up surgical fields are followed, sterile and disposable drapes are used to create an uncontaminated environment, protecting both surgical areas and professionals. A range of different materials, sizes and models are available. They are made with a layer of soft, absorbent and waterproof non-woven fabric and a layer of polyethylene film to create a protective barrier and reduce the risk of post-operative infections caused by migrating pathogenic germs.



Innovative

Available in breathable, water-repellent Softesse[®], and nonwoven fabric or cellulose coupled with a polyethylene layer, which makes them absorbent and waterproof.



Versatile

A number of varieties are available in different sizes and lengths, including basic draping, drapes with adhesive tape, drapes with central openings and off-centre openings, and drapes with U cuts.



Guaranteed

Individually packaged to guarantee sterility for five years and comes with a peel-off label for traceability.

Drapes for Mayo and Instrument tables

Designed to cover surgical tables and to protect equipment. Main drapes cover instrument tables, while Mayo tables are protected by pocket-like drapes for better coverage of the table.



Classification

Medical Device class I s



Material

LDPE + Absorbent non-woven fabric 54 g/m² latex free



Color

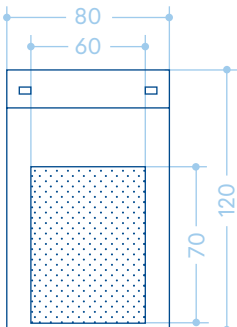
Light blue



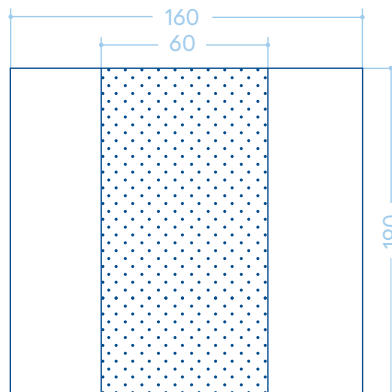
Sterility

Sterility guaranteed for 59 months from the date of production

Drape for Mayo table



Drape for Instrument table



Absorbent non-woven fabric

Drape for Mayo table

Code	Size (cm)	Pcs
270213	80 x 120	25

Drape for Instrument table

Code	Size (cm)	Pcs
270214	160 x 190	25

Surgical drapes

The non-woven fabric bonded with the polyethylene material absorbs bodily fluids without compromising the product's protective barrier. With its outstanding drapability, the 'no-memory' material retains particles without releasing them into the air. Drape available in various sizes that can be adapted to any surface or equipment being covered.



Classification

Medical Device class I s



Material

Non-woven fabric + polyethylene 54 g/m²



Color

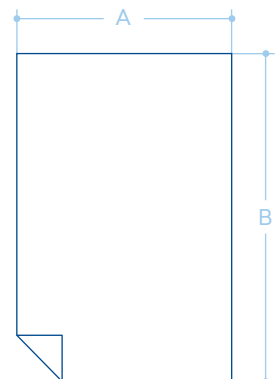
Light blue



Sterility

Sterility guaranteed for 59 months from the date of production

Code	270201	270202	270203	270204	270205
Pcs	125	100	50	25	25
A Width (cm)	50	50	75	100	150
B Length (cm)	50	75	90	150	200



Standard drapes

Pure

Absorbent drapes in 100% cellulose bonded to a water-repellent polyethylene layer. Drapes available in various sizes and ideal for protecting work surfaces.



Classification

Medical Device class I s



Material

Cellulose + polyethylene
47 g/m²



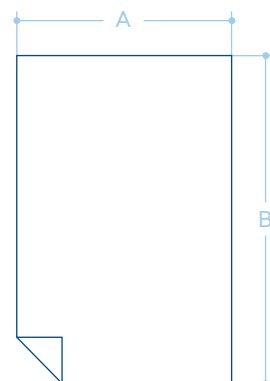
Color

Light blue



Sterility

Sterility guaranteed for
59 months from the date
of production



Code	270218	270219	270220	270221
Pcs	150	125	75	25
A Width (cm)	50	50	75	90
B Length (cm)	50	75	90	150

Surgical drape with adhesive side

A practical 4 cm medical adhesive strip on the shortest side of the drape can be used to secure it to a fixed point, preventing accidental movements and contamination. The drapes are folded so that staff members maintain a clean and sterile environment while handling them. Available in various sizes and packed in sterile medical blister packs. The double adhesive label with barcode means that the product is traceable and easier to store.



Classification

Medical Device class I s



Material

Non-woven fabric + polyethylene 54 g/m²



Color

Light blue



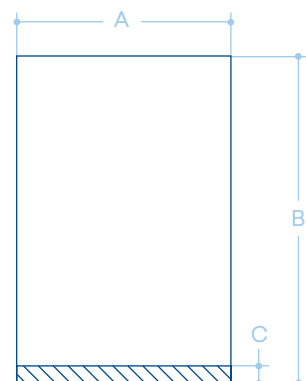
Sterility

Sterility guaranteed for 59 months from the date of production



Code	270206	270207	270208
Pcs	75	50	25
A Width (cm)	50*	75*	100*
B Length (cm)	75	90	150
C Adhesive height (cm)	4	4	4

*adhesive side



Drape with central adhesive opening

The adhesive circular shape in the centre of the drape creates an effective sterile barrier for all types of surgical procedures. The drapes are folded so that staff members maintain a clean and sterile environment while handling them. Available in various sizes and packed in sterile medical blister packs. The double adhesive label with barcode means that the product is traceable and easier to store.



Classification

Medical Device class I s



Material

Non-woven fabric + polyethylene 54 g/m²



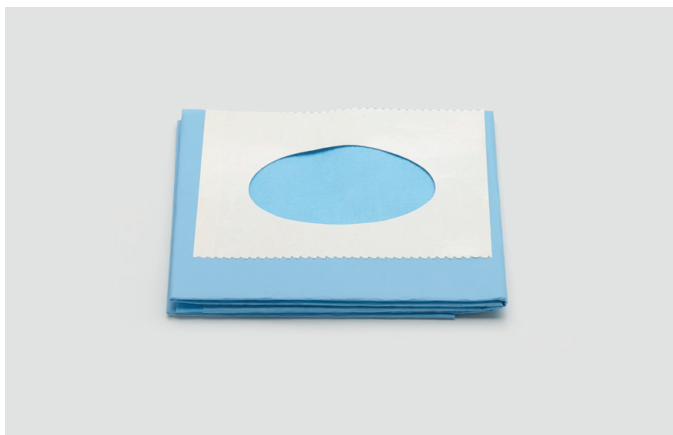
Color

Light blue

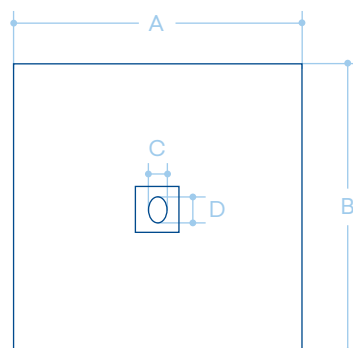


Sterility

Sterility guaranteed for 59 months from the date of production



Code	270215	270216	270217
Pcs	100	75	50
A Width (cm)	50	50	75
B Length (cm)	50	75	90
C Opening width (cm)	6	6	6
D Opening length (cm)	9	9	9



Drape with off-centre adhesive opening

This item has the same features as the drape with central opening, but its off-centre opening enables you to maximise use of the drape's dimensions. The drapes are folded so that staff members maintain a clean and sterile environment while handling them. Available in various sizes and packed in sterile medical blister packs. The double adhesive label with barcode means that the product is traceable and easier to store.



Classification

Medical Device class I s



Material

Non-woven fabric + polyethylene 54 g/m²



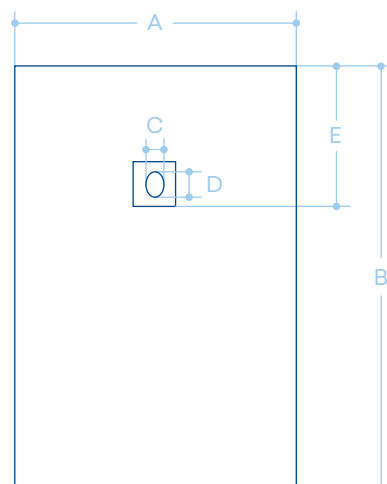
Color

Light blue



Sterility

Sterility guaranteed for 59 months from the date of production



Code	270228
Pcs	25
A Width (cm)	100
B Length (cm)	150
C Opening width (cm)	6
D Opening length (cm)	9
E From top (cm)	47

Drape with U cut without adhesive

Practical for surgeons and comfortable for patients: the 'U' shape makes it easy to place on the bottom lip or chin, creating an effective sterile barrier. Individually packaged to guarantee sterility for five years and comes with a peel-off label for traceability.



Classification

Medical Device class I s



Material

Non-woven fabric + polyethylene 54 g/m²



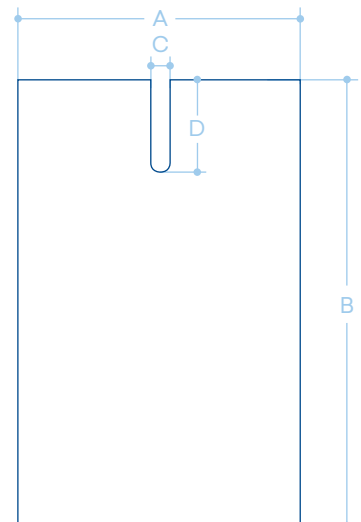
Color

Light blue



Sterility

Sterility guaranteed for 59 months from the date of production



Code	270209
Pcs	25
A Width (cm)	100
B Length (cm)	150
C Opening width (cm)	11
D Opening length (cm)	30

Drape with U cut and adhesive

The “U” shape makes it easy to place both on the bottom lip and on the neck, creating an effective sterile barrier. The practical medical adhesive stops the drape from moving and therefore prevents accidental contamination.



Classification

Medical Device class I s



Material

Non-woven fabric + polyethylene 54 g/m²



Color

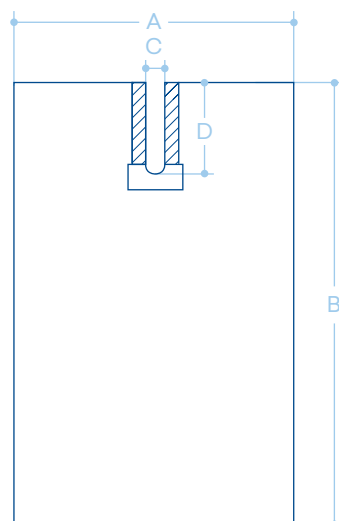
Light blue



Sterility

Sterility guaranteed for 59 months from the date of production

Code	270210	270211	270212
Pcs	50	50	25
A Width (cm)	50	75	100
B Length (cm)	75	90	150
C Opening width (cm)	11	11	6,5
D Opening length (cm)	9	9	30



Drape with U cut without adhesive and adhesive point

The 'U' shape makes it easy to place on the bottom lip or chin. The adhesive part allows you to fix the drape in place, which prevents it from moving and creates an effective sterile barrier. Industry experts maintain that its 115-cm length is perfect for covering patients. Packed in a sterile medical blister pack, drapes are folded so that staff members maintain a clean and sterile environment while handling them. The double adhesive label with barcode means that the product is traceable and easier to store.



Classification

Medical Device class I s



Material

Non-woven fabric + polyethylene 54 g/m²



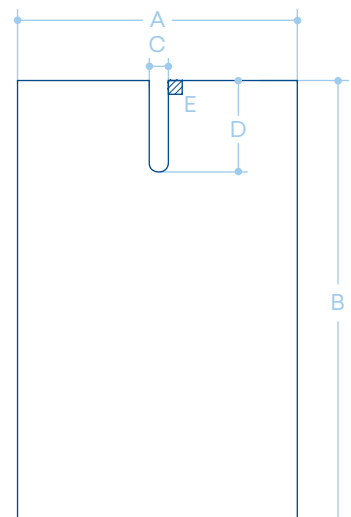
Color

Light blue



Sterility

Sterility guaranteed for 59 months from the date of production



Code	270230
Pcs	40
A Width (cm)	75
B Length (cm)	115
C Opening width (cm)	15
D Opening length (cm)	25
E Adhesive point dimension (cm)	6 x 6

Softesse® drape with no panic window

Drape with triangular opening and Velcro tubing holder. Designed to protect the patient's eyes from accidental injuries and splashes, the drape features a protective window made from see-through material, enabling the patient and dentist to see each other during a procedure. Made from Softesse®, it is exceptionally comfortable, highly breathable and very water-resistant. Studied for lengthy, complex surgical operations, it is packed in a sterile medical blister pack and the double adhesive label with barcode means that the product is traceable and easier to store.



Code	270226
Pcs	5
A Width (cm)	133
B Length (cm)	200
C Opening width (cm)	11
D Opening height (cm)	10
E Window width (cm)	13
F Window height (cm)	4,5



Classification

Medical Device class I s



Material

Non-woven fabric
Spunlace Softesse®
67 g/m², latex free



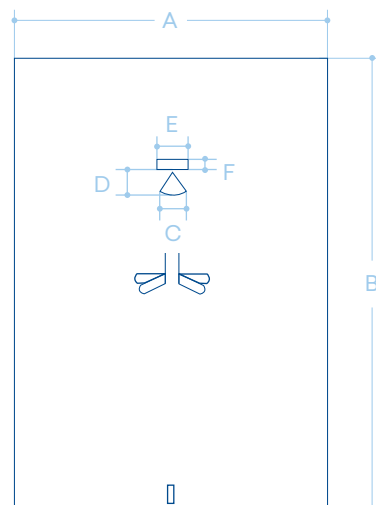
Color

Light blue



Sterility

Sterility guaranteed for
59 months from the date
of production



Softesse® drapes

Softesse® non-woven fabric is the most advanced material available on the market. It is exceptionally comfortable, highly breathable and very water-resistant. Specially designed for long and complex surgical operations. With a variety of different models available, the drapes are designed to satisfy all surgical needs. Packed in a sterile medical blister pack, they are folded so that staff members maintain a clean and sterile environment while handling them. The double adhesive label with barcode means that the product is traceable and easier to store.



Classification

Medical Device class I s



Material

Non-woven fabric
Spunlace Softesse®
67 g/m², latex free



Color

Light blue



Sterility

Sterility guaranteed for
59 months from the date
of production



Safe

High drapability: once laid out, the material remains in place without moving or slipping.



Breathable

Softesse® prevents body temperature from rising thanks to the material's high breathability.



Non-reflective

The highly opaque fabric minimises the risk of distractions caused by reflective glares.

Some details of the drapes



270223
Detail of drape without adhesive U shaped cut and cable hole for aspirator



270224
Detail of drape with adhesive U shaped cut and cable hole for aspirator



270225
Detail of drape with off-centre adhesive opening

Code	Type	Size (cm)	Pcs
270222	Rectangular drape without adhesive	75 x 100	40
270223	Drape with U-shaped cut, without adhesive and cable hole for aspirator	133 x 200 adhesive cut 6,5 x 50	10
270224	Drape with adhesive U-shaped cut and cable hole for aspirator	133 x 200 cut 6,5* x 50	10
270225	Drape with off-centre adhesive opening	100 x 150 opening 6* x 9	25



Alle[®] sterile and non-sterile protective products

For totally safe surgical environments

A wide range of sterile products designed to protect surfaces and small/medium-size apparatus located near surgical fields, and to keep operating rooms free from contamination.



Safe

These allow you to protect all the equipment and small surfaces in your surgical environment, keeping them sterile.



Practical

Each product is easy to apply, enabling you to set up your surgical field in a quicker and more precise manner.



Traceable

Made with high-quality materials and packed in labelled bags for maximum traceability: Sterility guaranteed for five years.

All-purpose bag for radiographic systems

This all-purpose bag is sterile, see-through and allows you to protect radiographic, photographic and microscopic systems, leaving your surgical field totally sterile.



Classification

Medical Device class I s



Material

PLT



Dimension

Ø 75 cm



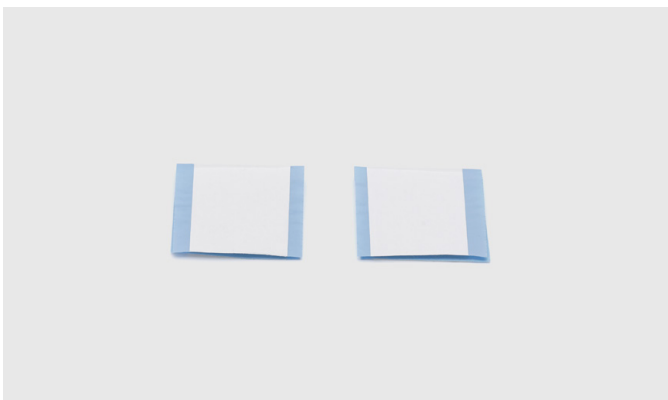
Sterility

Sterility guaranteed for 59 months from the date of production

Code	Pcs
270316	25

Medical adhesive

Medical adhesive for securing protective sheaths, tubes and drapes, leaving your surgical field safe and sterile.



Classification

Medical Device class I s



Material

Non-woven fabric



Dimension

10 x 5 cm



Sterility

Sterility guaranteed for 59 months from the date of production

Code	Pcs
270315	50 blisters of 2 pcs

Transparent drape with adhesive

See-through, low-density polyethylene drapes with adhesive tape. Perfect for covering physiodispensers and control units. The adhesive tape makes them quick and easy to apply without leaving residue on surfaces. The transparent material is totally see-through, enabling you to use your control panels.



Classification

Medical Device class I s



Material

Adhesive polyethylene



Dimension

40* x 50 cm
*adhesive side



Color

Light blue



Sterility

Sterility guaranteed for
59 months from the date
of production

Code	Pcs
270227	20

Barrier film

Euronda | Monoart®

Disposable film for the protection of areas and surfaces, especially those difficult to reach, clean or disinfect reducing the risk of cross-contamination. The light adhesive of the barrier film adheres easily to surfaces without leaving any residue. The barrier film has a non-adhesive edge on both sides, to simplify placement and removal. The pack contains 1 roll of 1200 tear-off 10 x15 cm sheets with dispenser.



Material

PVC



Dimension

10 x 15 cm



Color

Blue



Code	Pcs
269001	1

Adhesive film

Designed to protect surfaces that are exposed to contamination but difficult to clean/sterilise during clinical procedures (control panels, handles, switches, etc.). The adhesive polyethylene material does not leave residue on protected surfaces.



Classification

Medical Device class I s



Material

Adhesive polyethylene



Dimension

20 x 20 cm



Color

Light blue



Sterility

Sterility guaranteed for 59 months from the date of production

Code	Pcs
270301	50

Tubing sleeve with adhesive fixing tapes

Disposable anti-reflective transparent polyethylene tubing sleeve with open ends. With two non-woven fabric adhesive strips for securing the ends.



Classification

Medical Device class I s



Material

LDPE, latex free



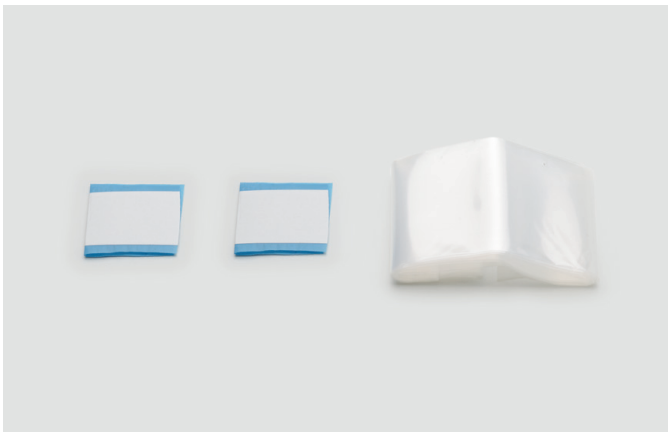
Colors

Light blue, white



Sterility

Sterility guaranteed for 59 months from the date of production



Code	Size (cm)	Colors	Pcs
270302	120 x 7	Light blue	50
270303	240 x 7	Light blue	50
270304	120 x 7	White	50
270305	240 x 7	White	50

Tubing sleeve with inserter

Disposable anti-reflective transparent polyethylene tubing sleeve with open ends. Elasticated and complete with a handy card fitter for easy insertion.



Classification

Medical Device class I s



Material

LDPE, latex free



Dimension

120 x 70 cm



Color

Transparent



Sterility

Sterility guaranteed for 59 months from the date of production

Code	Pcs
270310	10

Turbine cover

Euronda | Monoart®

Disposable sleeve in see-through polyethylene film, which prevents the risk of cross-contamination. Available in two sizes (4,5 and 5,5 cm in diameter), these are ideal for turbine cords, aspirators and handpieces and for micromotor cords, air/water syringes and connecting tubes. The pack contains a roll of 250 tear-off sheets either 4,5 x 45 cm or 5,5 x 45 cm in size, with dispenser.



Material

Polyethylene



Dimensions

Available in two sizes:
4,5 x 45 cm
5,5 x 45 cm



Color

Transparent



Code	Dimensions	Pcs
246004	45 x 450 mm	1
246005	55 x 450 mm	1

Decontamination mat

Euronda | Monoart®

Decontamination mat in low-density polythene with 30 numbered adhesive sheets, to prevent the spread of bacteria during surgery. Thanks to the special formula of the bactericidal gelatine present on the upper surface, it removes and deactivates the bacteria present on the soles of shoes. Smooth surface without imperfections, for maximum effectiveness in removing dirt. Fixing band at the bottom for perfect adhesion to the floor.



Classification

Medical Device class I



Material

Adhesive polythene



Dimensions

45 x 115 cm



Color

Blue



Code	Pcs
270758	4 pcs with 30 adhesive sheets

Dentist chair cover

Euronda | Monoart®

Disposable dentist chair cover with headrest cover, backrest cover and seat cover, made from soft, nonwoven polypropylene material that is breathable and hypo-allergenic. With its all-purpose size, it is suited to all kinds of dentist chairs thanks to the elasticated edges and ties. Non-sterile product.



Material

Non-woven fabric 30 g/m²



Colors

Light blue, green



Code	Colors	Pcs
264000	Light blue	25
264001	Green	25

Headrest Cover

Polyethylene headrest cover, with cellulose exterior and polyethylene lining. In a practical dispenser.



Material

Polyethylene 28 g/m²



Colors

Light blue, white



Dimensions

28 x 30 cm



Code	Colors	Pcs
213006	Light blue	250
213007	White	250





SOLUZIONE PER INFUSIONE STERILE

Composizione: Soluzione di cloruro di sodio 0,9% in acqua per iniezione, 1000 ml.
Osmolarità teorica: 308 mOsm/L.

Indicazioni terapeutiche: Reintegrare il volume circolante e l'equilibrio idro-elettrolitico.
Posologia, modo e via di somministrazione: Per uso intravenoso. Deve essere somministrato per via endovenosa.
Conservazione: Conservare a temperatura ambiente (15-25°C). Non congelare né refrigerare.
Scadenza: Vedere la data di scadenza sulla confezione. La data di scadenza si riferisce al confezionamento integro, conservato oltre tale data.
Avvertenze: Prima dell'uso leggere attentamente il foglio illustrativo. Accertarsi che il contenitore sia integro e privo di danni. Dopo l'apertura del contenitore, la soluzione deve essere utilizzata immediatamente.

NON DISPENDERE LA SOLUZIONE MEDICINALE NON SOGGETTO A AUTORIZZAZIONE
TENERE FUORI DALLA PORTATA DEI BAMBINI

A.I.C.
S.A.L.F. S.p.A. - Laboratorios Farmaceuticos S.A.
via Marconi, 2 - 02012 Castel Geronzo (PG) - Italia

PVC Containere in polivinilidene
Prodotto da SAME

Alle[®] sterile irrigation lines

The proper cooling of dental drills

Proper irrigation during the creation of the implant site is essential for the necessary osseointegration of the implant and, consequently, the procedure's success. Mechanical and manual irrigation lines are compatible with the main physiodispensers and mechanised systems available on the market. All irrigation lines are disposable class II a products subject to the requirements of Directives 93/42/EEC and 2007/47/EC.



Compatible

Totally compatible with the main physiodispensers and implant drills on the market.



High quality

Robust plastic materials and high-quality parts, free from phthalates. No scrupulous manufacturing processes.



Sterile

Individually packed in sterile blister packs with labels for maximum traceability: sterility guaranteed for five years.

Mechanical irrigation lines

An appropriate, well gauged jet of liquid coolant is able to bring a dental drill “to the ideal temperature”. This can only be done with an irrigation system that has been specifically created for the different types of physiodispenser available on the market. The soft silicone tips of Alle® irrigation lines is available in different dimensions and can be adapted to the different diameters of wand cooling needles.



Classification

Medical Device class II a



Material

Silicone, PVC,
Phthalate-free ABS,
Latex-free



Sterility

Sterility guaranteed for
59 months from the date
of sterilisation



Legend

- 1 - One-way irrigation
- 1/2 - Internal and external irrigation without a Y-connector
- 1/2Y - Internal and external irrigation with a Y-connector
- T - Tap to connect a second irrigation line to a second conrtriangle or to connect an irrigator

*All brands mentioned are registered and owned by the producers.

Alle® irrigation lines details

Code	Type	Model	Pcs
270601	1/2Y	ACTEON - SATELEC: Suni 2000-3000, Suni Max / BLUE ROCKET: BR 3000, BR 4000 / BREDENT: Sky Unit / HKM: Surgi Set Basic, Surgi Set Pro 500, Dental Surgery Unit, Dental Unit DSC Electronic / SWEDEN & MARTINA: XO Osseo, Osseo System / GOOF	10
270602	1/2Y	ASTRATECH: Elcomed 100 / W&H: Astratech 100, Elcomed 100, Elcomed 200	10
270603	1/2Y	ATR: PhysioPlus, 3000 Krugg, 3000 New, 3000 Plus / B&B DENTAL: Physiodispenser 3000 / KRUGG: Implant Surgery System / NOBEL BIOCARE: Steri Oss	10
270604	1	NOUVAG: MD 10, MD 10S, MD 20, SEM 2, SU 100, CBM, MD 7000, MD 8000, TCM 3000 / NOVAXA: Assistant 2	10
270606	1/2Y	DE GIORGI: Intramatic 2, Intramatic Plus, Steril Intraplant / FRIATEC AG: Implantology surgical / TISSIDENTAL: Oral Max System	10
270607	1/2Y	KAVO: INTRAsept 905 / MECTRON: Piezosurgery II, Piezosurgery 3	10
270609	1/2Y	ASEPTICO: AEU 260S, AEU-17Bv2, AEU-6000-70V, AEU-7000E-70V, AEU-7000L-70V, AEU-707Av2 / BONART: Piezo Surgical System / INTRA-LOCK: Delfin / KYOCERA: Implantor Neo / SAEYANG: Ki-20 / NSK: Surgic Pro, Surgic XT, Surgic XT Plus, Variosurg, Osseocision	10
270610	1/2Y T	3I: Implantmed / ASTRATECH: Implant Med SI 923 I / DENTIUM: iCTmotor / NOBEL BIOCARE: Osseoset 100, Osseoset 200 SI-915, Osseoset SI-923, OsseoCare / W&H: Elcomed SA-310, Implantmed, Implantmed SI923, Implantmed New Design, DU 900, Piezomed, Surgical Motor System, Frios Unit S, Frios Unit S/i, Drilltech	10
270613	1	ANTHOGRYR: Implanteo, Implanteo Led	10
270616	1/2Y T	DENTSPLY: Frios Unit E / W&H: Elcomed SA-200C	10
270617	1/2Y	KAVO: INTRAsurg 300/500, INTRAsurg 300 Plus, INTRAsurg 1000, INTRAsurg 1000 Air	10
270618	1/2Y	BIEN AIR: Chiropro 980, Osseo Doc / BIOSAFIN: Easy Surgery, MyTUTOR / CEFLA: Riunito Cefla / EMS: Piezon Master Surgery / ESACROM: Surgysonic I, Surgysonic II, Surgysonic Moto / IDI EVOLUTION: TMM2 / PLANMECA: Riunito Planmeca / SILFRADENT: Acrobone, Easybone 4, Surgybone / SYMPLA: Prosurgy / SWEDEN&MARTINA: Spin, Heracle / UBS: Ultrasonic Bone Surgery	10
270621	1	KAVO: MASTERsurg, EXPERTsurg	10
270624	1	MECTRON: Piezosurgery Touch, Piezosurgery White	10

Code	Model	Pcs
270626	Tubing extension with luer without piercing pin	10

Pure irrigation lines details

Code	Type	Model	Pcs
270623	1	3I: Implantmed / ASTRATECH: Implant Med SI 923 I / DENTIUM: iCTmotor / NOBEL BIOCARE: Osseoset 100, Osseoset 200 SI-915, Osseoset SI-923, OsseoCare / W&H: Elcomed SA-310, Implantmed, Implantmed SI923, Implantmed New Design, DU 900, Piezomed, Surgical Motor System, Frios Unit S, Frios Unit S/i, Drilltech	10
270625	1	ASEPTICO: AEU 260S, AEU-17Bv2, AEU-6000-70V, AEU-7000E-70V, AEU-7000L-70V, AEU-707Av2 / BONART: Piezo Surgical System / INTRA-LOCK: Delfin / KYOCERA: Implantor Neo / SAEYANG: Ki-20 / NSK: Surgic Pro, Surgic XT, Surgic XT Plus, Variosurg, Osseocision	10

Manual irrigation line

A manual irrigation system with a button-based flow regulator that enables assistants to keep the implant site clean and cool. The system is also suitable for irrigation during the final fixation of implants using a dental torque wrench.



Classification

Medical Device class II a



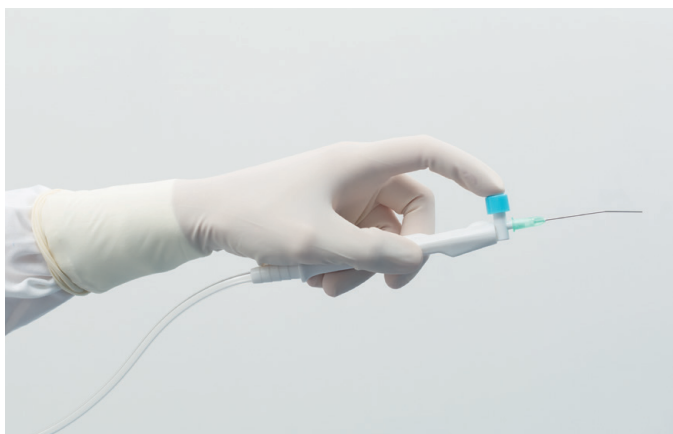
Material

Transparent PVC,
Phthalate-free ABS,
Latex-free



Sterility

Sterility guaranteed for
59 months from the date
of sterilisation



Code	Pcs
270630	5

10 excellent reasons to choose the Euronda Alle[®] irrigation lines

- 1 Versatile**
Ideal for internal one-way Irrigation, with the possibility of internal and external irrigation.
- 2 Compatible**
With the most common physiodispenser models and mechanised systems.
- 3 Packaging**
Packed individually in sterile blister packs.
- 4 Traceable**
Double adhesive label provided for maximum traceability.
- 5 Guaranteed**
Alle[®] products guarantee you all the reliability, functionality and quality of the Euronda brand. The highest quality standards on the market.
- 6 Sterility**
Sterilised with ethylene oxide, following a scrupulous process compliant with the regulations in force regarding residue.
- 7 Free from latex and phthalates**
For complete respect for patients' health and the environment.
- 8 59-months validity**
The sterility of the Euronda Alle[®] irrigation lines is valid for 59 months.
- 9 Quality**
The Alle[®] line offers the highest quality standards on the market, with no compromises.
- 10 Complete**
Equipped with an "Open/Close" perforator with cap, air filter and silicone final tip to facilitate insertion.



Alle[®] Aspiration systems

These provide accurate aspiration

A selection of aspiration products recommended for all surgical procedures that require accurate aspiration without compromising visibility in the operating field.

Surgical aspirators

Practical, light and manageable during long sessions of surgery. A special no-ply adaptor prevents the connectors from accidentally bending or twisting. They can be connected to dental chairs or central systems. Yankauer aspirator tip available with 2,5 mm openings.



Classification

Medical Device class II a



Material

Transparent PVC



Sterility

Sterility guaranteed for 59 months from the date of sterilisation

Without aspirator tip

Code	Measures (cm)	Pcs
270650	length 22	10

With Yankauer aspirator tip

Code	Measures (cm)	Pcs
270651	length 25	10

Surgical aspirator tip

Sterile surgical aspirator tip, available with 2,5 mm with tip and 4,8 mm without the light blue tip. PVC adaptors included (11 mm, 16 mm).



Classification

Medical Device class II a



Material

PVC



Dimensioni

20,5 cm
18 cm - without tip



Sterility

Sterility guaranteed for 59 months from the date of sterilisation

Code	Pcs
270644	20

EM40 Evo Aspirator Tips

Euronda | Monoart®

Universal moulded tip for surgical aspirator.
Can be sterilised in autoclave at 134°C. Practical and safe adapter for EM40 aspirator tips available, can be used to adapt from an inlet with a diameter of 16 mm to an outlet with a diameter of 11 mm. It can be sterilised in an autoclave at 134°.



Classification

Medical Device class II a



Dimension

Connection: Ø 11 mm
Length: 20 cm



CE Type Ref

MONOART® CANNULA
EM40, EM40
ASPIRATOR TIPS, EM40
ABSAUGKANÜLEN



Code	Type	Pcs
22910110	Aspirator tip EM40	10
230002	Adapter 16 mm	10

EM19 Evo and EM21 Evo Aspirator Tips

Euronda | Monoart®

Surgical aspirator tips, available in two dimensions. Ergonomic, non-slip grips make work easier for staff, while the rounded and linear shape keeps them quiet and give outstanding patient comfort. They can be sterilized in autoclaves at up to 134°C.



Classification

Medical Device class II a



Dimension

Connection: Ø 11 mm
EM19 length: 114 mm
EM21 length: 129 mm



CE Type Ref

MONOART® EM19
MONOART® EM21



Code	Models	Pcs
22930001	EM19 Evo	10
22931001	EM21 Evo	10



Other products

Useful components
to support activities

All of Euronda's safety and experience in a selection of disposable products used for everyday dental and sterilisation procedures. These products are highly tested and stand out due to their high-quality materials, efficiency, safety and effectiveness.

Instant Ice

Euronda | Monoart®

Thanks to its formula, Euronda Monoart® Instant Ice is outstanding in terms of cooling, durability and safety. The mixture of nitrogenous salts guarantees better quality and longer lasting cooling, while the smaller size of the bag gives greater concentration in the treatment zone and takes up less space.



Classification

Medical Device class II a



Dimension

15 x 17,5 cm



Shelf life

5 years



CE Type Ref

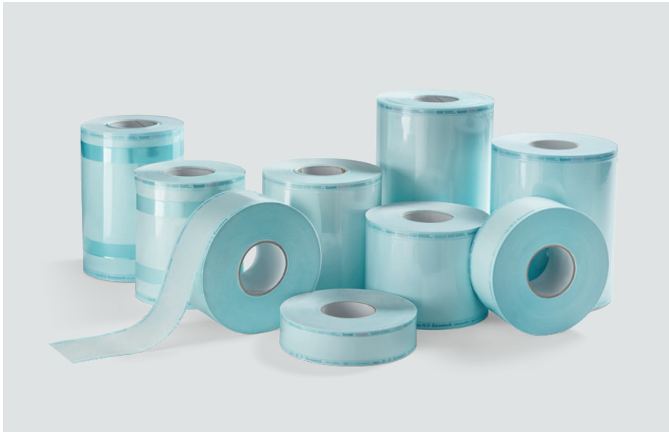
MONOART®
GHIACCIO Istantaneo
INSTANT ICE
KÄLTEKOMPRESSE



Code	Pcs
23230020	24

Sterilisation rolls

Sterilisation rolls are made of certified materials: heavy weight medical paper (60 g/m²) and a double layer of light blue polyester/polypropylene film. This gives them a guaranteed seal during sterilisation, makes them extremely easy to open without releasing fibres or tearing, and offers maximum microbial protection. In addition, the chemical Color indicators signal a successfully completed cycle in the autoclave, thus guaranteeing maximum safety for patients.



Classification

Medical Device class I products fully compliant with Directive 93/42/EEC (as amended by 2007/47/CE) and the EN 868-5 standard and EN ISO 11607-1.



CE Type Ref

EUROSTERIL® ROTOLI PER STERILIZZAZIONE, STERILISATION ROLLS, STERILISATIONS ROLLEN



Sterility

Six months sterility from the date of production in ideal storage conditions and subject to validation of the sterilisation and sealing process

Code	Size	Pcs
20410591	5 cm x 200 m	8
20410352	7,5 cm x 200 m	5
20410353	10 cm x 200 m	4
20410354	15 cm x 200 m	2
20410356	20 cm x 200 m	2
20410357	25 cm x 200 m	1
20410358	30 cm x 200 m	1
20410590	40 cm x 200 m	1
20410355	gusseted 20 x 5 cm - length 100 m	2
20450036	gusseted 25 x 5 cm - length 100 m	1
20410359	gusseted 25 x 6,5 cm - length 100 m	1

Sterilisation pouches

Thermal-welding standard sterilisation pouches made of heavy weight (60 g/m²) white medical paper coupled with a light blue polyester/polypropylene layer. Three sided weldings with impermeable and uniform canals for the highest microbe protection. The changing chemical Color indicators verify the sterilisation process by steam or EO gas (ethylene oxide). Appropriate peeling without the release of paper fibres or laceration of the film at the moment of opening the packaging.



Classification

Medical Device class I products fully compliant with Directive 93/42/EEC (as amended by 2007/47/CE) and the EN 868-5 standard and EN ISO 11607-1.



CE Type Ref

EUROSTERIL® BUSTE PER STERILIZZAZIONE, STERILISATION POUCHES, STERILISATIONS BEUTEL



Sterility

Six months sterility from the date of production in ideal storage conditions and subject to validation of the sterilisation and sealing process



Code	Size	Pcs
20310655	5 x 25 cm	500
20310622	7,5 x 25 cm	500
20310623	10 x 25 cm	500

Self-adhesive sterilisation pouches

The same materials and technical features as the thermal-welding sterilisation pouches, with the addition of a practical synthetic rubber adhesive band and closing fold.



Classification

Medical Device class I products fully compliant with Directive 93/42/EEC (as amended by 2007/47/CE) and the EN 868-5 standard and EN ISO 11607-1.



CE Type Ref

EUROSTERIL® BUSTE PER STERILIZZAZIONE AUTOSIGILLANTI, SELF ADHESIVE STERILIZATION POUCHES, STERILISATIONSBEUTEL SELBSTKLEBEND



Sterility

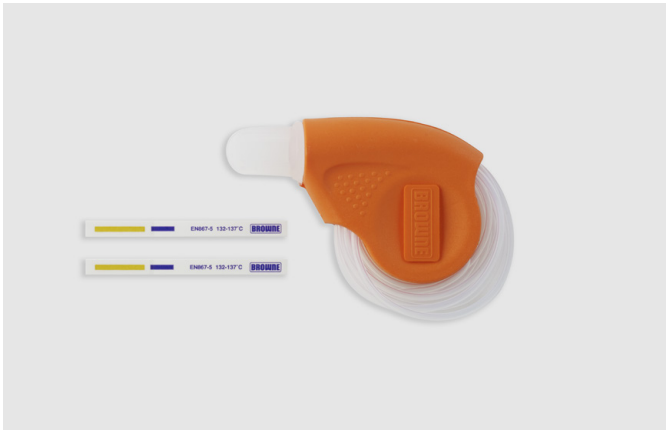
Six months sterility from the date of production in ideal storage conditions and subject to validation of the sterilisation and sealing process

Code	Size	Pcs
20210709	9 x 25 cm	200
20210714	14 x 26 cm	200
20210719	19 x 33 cm	200

Helix test

Euronda | Pro System®

Test for Class B autoclaves to evaluate the capacity of penetration of the steam in hollow loads. Composed of a tube and 250 Color testers to confirm sterilisation.



Code	Pcs
242005	1

Bowie & Dick test

Euronda | Pro System®

Test for Class B autoclaves to evaluate the penetration efficiency in porous loads.



Code	Pcs
243001	10

Prion test

Test for Class B autoclaves, calibrated with the temperature, time and pressure parameters considered effective in 134°C Prion sterilisation cycles (134°C x 18 minutes). Composed of 200 Color testers.



Code	Pcs
242004	1

Euronda Spa® 2021

This catalogue cannot be copied, scanned or reproduced by any means. All rights reserved.

Picture, description, quoting, dimension and technical data have to be considered as purely indicative.

While maintaining the basic characteristics of the product, the manufacturer reserves the right to make modifications at any time with the sole aim of improvement.

Euronda Spa

Via Chizzalunga 1
36066 Sandrigo
Vicenza, Italy
t (+39) 0444 656111
f (+39) 0444 656199
m info@euronda.com
www.euronda.it

Deutschland

Euronda Deutschland
Am Landwehrbach 5
48341 Altenberge, Deutschland
t (+49) 2505 9389 0
f (+49) 2505 9389 29
m info@euronda.de
www.euronda.de

France

Euronda France Eurl
ZAC les Vallées, Avenue de Bruxelles
60110 Amblainville, France
t + 33 (0) 3 44 06 69 70
f + 33 (0) 3 44 02 03 89
m info@euronda.fr
www.euronda.fr

España

Identyd, Calle Músico
Antonio Rodríguez de Hita, 12
Bajo 30007 Murcia
t 900102034
m info@euronda.es
www.euronda.es

Russia

OOO Euronda Russia
193149 Leningradsakaya obl.,
Vsevolozhsky r-on,
d. Novosaratovka, ul.
Pokrovskaya, dom 41, litera B. Russia
t + 7 (812) 635 88 94
m info@eurondarussia.com
www.eurondarussia.com

Euronda®